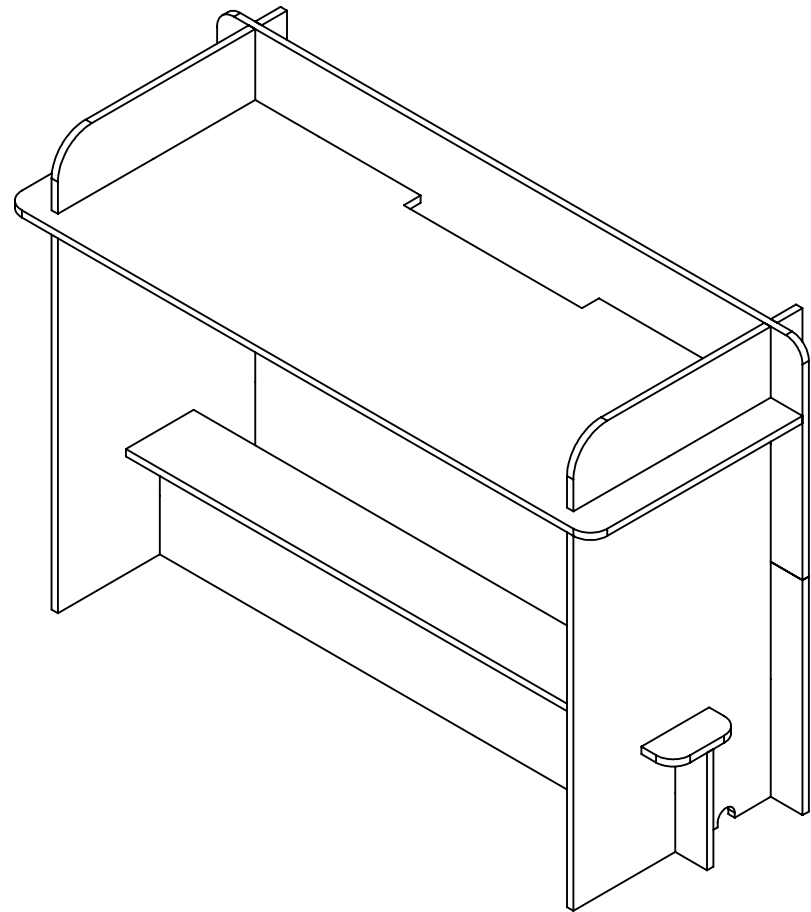


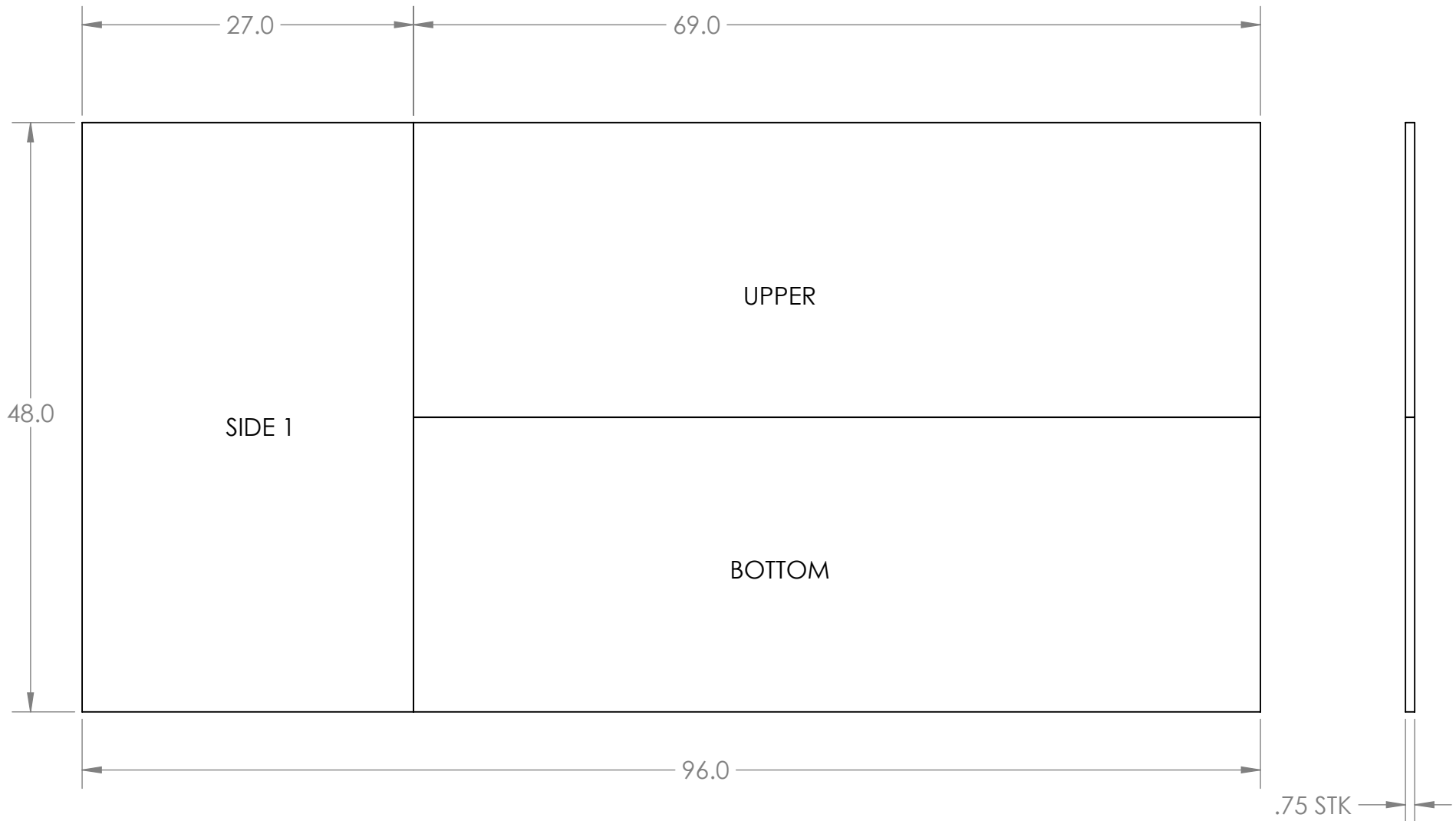
NOTES:

1. MAKE FROM TWO SHEETS OF 3/4 INCH PLYWOOD.
SEE SHEETS 2 & 3 FOR CUT DIMENSIONS.
2. ALL SLOTS ARE 3/4 INCH WIDE (OR SLIGHTLY WIDER THAN THE ACTUAL PLYWOOD SHEET THICKNESS).
3. DIMENSIONS ARE TO THE EDGES OF THE SLOTS, UNLESS OTHERWISE NOTED.
4. ROUND CORNERS AND BREAK EDGES IF DESIRED FOR SAFETY, COMFORT, AND SPLINTER REDUCTION.
5. TO CHANGE THE TABLE SURFACE HEIGHT, CHANGE THE HEIGHT OF THE TWO SIDE SUPPORT SLOTS (SHEET 4) AND THE TWO UPPER SUPPORT SLOTS (SHEET 5).



TITLE:			DJ DOPE		
SIZE	DWG. NO.			REV	
A	DJ Dope			C	
SCALE: 1:16		WEIGHT:		SHEET 1 OF 8	

<p>USE ONLY WITH PAYMENT OF ROYALTY</p> <p>© 2017 Playatech – All Rights Reserved. The information contained in this drawing is the sole property of Playatech, and was created to benefit the entire Burning Man community. This design may be used only after royalty payment as described at www.playatech.com.</p>	<p>UNLESS OTHERWISE SPECIFIED: ALL DIMENSIONS ARE IN INCHES TOLERANCES: ONE PLACE DECIMAL ± .125 TWO PLACE DECIMAL ± .10 ANGULAR: ± 2°</p>	MATERIAL	3/4 inch plywood				
		FINISH	WATER SEAL		LOVINGLY DRAWN BY	<i>Whisty</i>	7/13/22
		DO NOT SCALE DRAWING		RADICALLY DESIGNED BY	<i>Sunshine</i>	6/10/22	



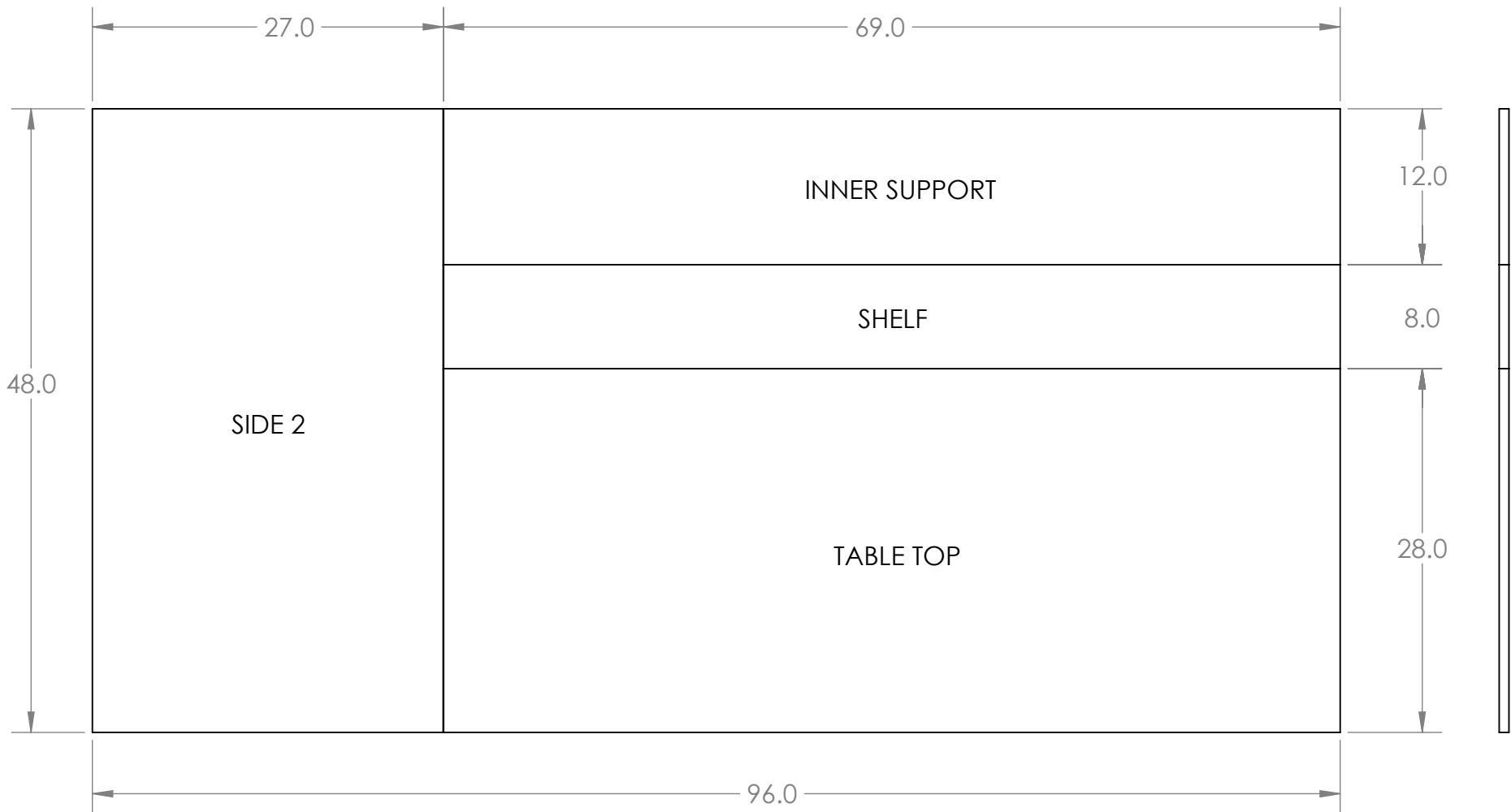
CUT SHEET 1



TITLE:		
DJ DOPE		
SIZE	DWG. NO.	REV
A	DJ Dope	C
SCALE: 1:12		SHEET 2 OF 8

USE ONLY WITH PAYMENT OF ROYALTY

© 2017 Playatech – All Rights Reserved. The information contained in this drawing is the sole property of Playatech, and was created to benefit the entire Burning Man community. This design may be used only after royalty payment as described at www.playatech.com.



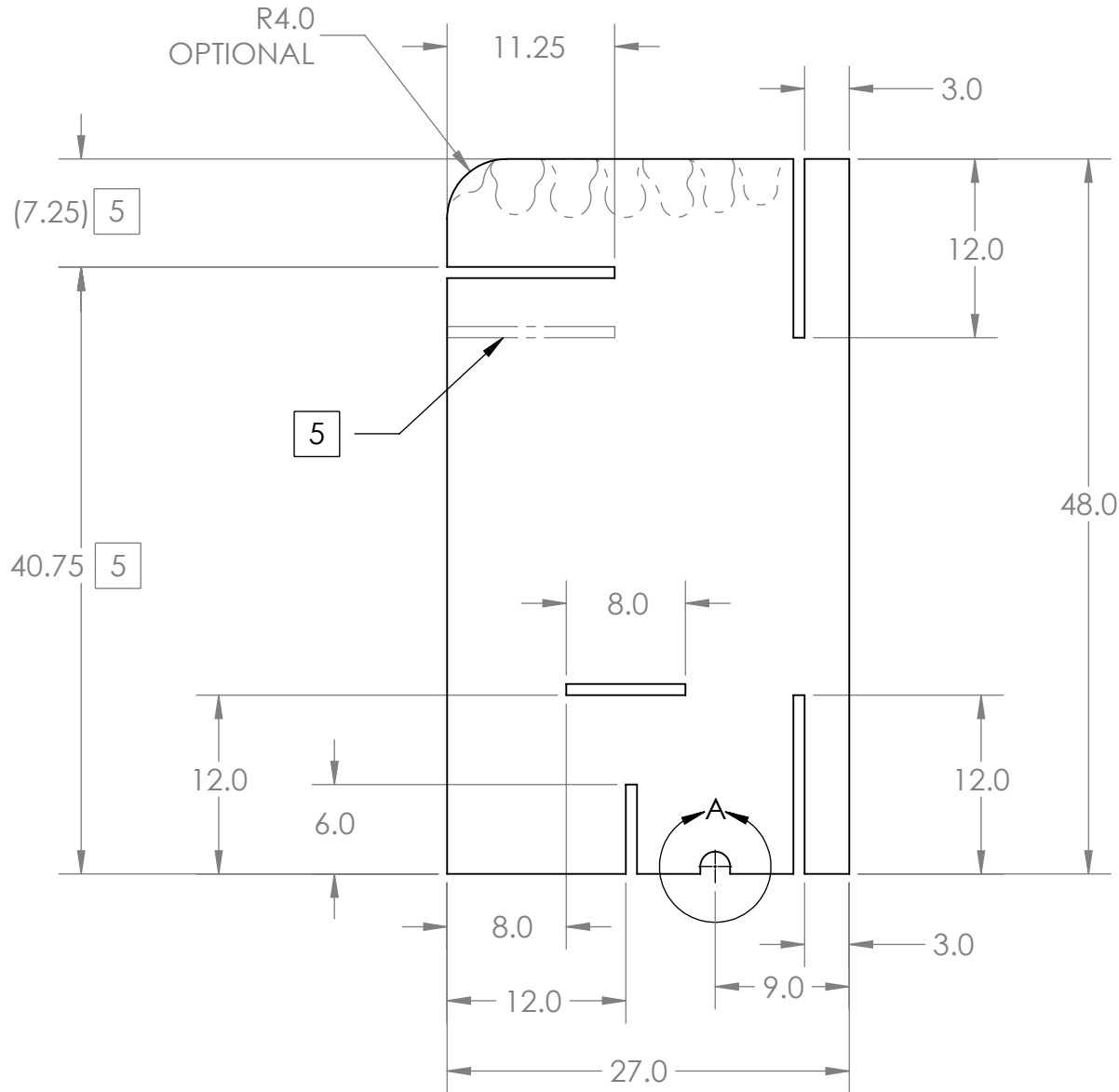
CUT SHEET 2



TITLE:		
DJ DOPE		
SIZE	DWG. NO.	REV
A	DJ Dope	C
SCALE: 1:12		SHEET 3 OF 8

USE ONLY WITH PAYMENT OF ROYALTY
 © 2017 Playatech – All Rights Reserved. The information contained in this drawing is the sole property of Playatech, and was created to benefit the entire Burning Man community. This design may be used only after royalty payment as described at www.playatech.com.

OPTION: CUT OR PAINT FLAME
PATTERN ACROSS THE TOP EDGE



DETAIL A
SCALE 1 : 4
CORD ACCESS



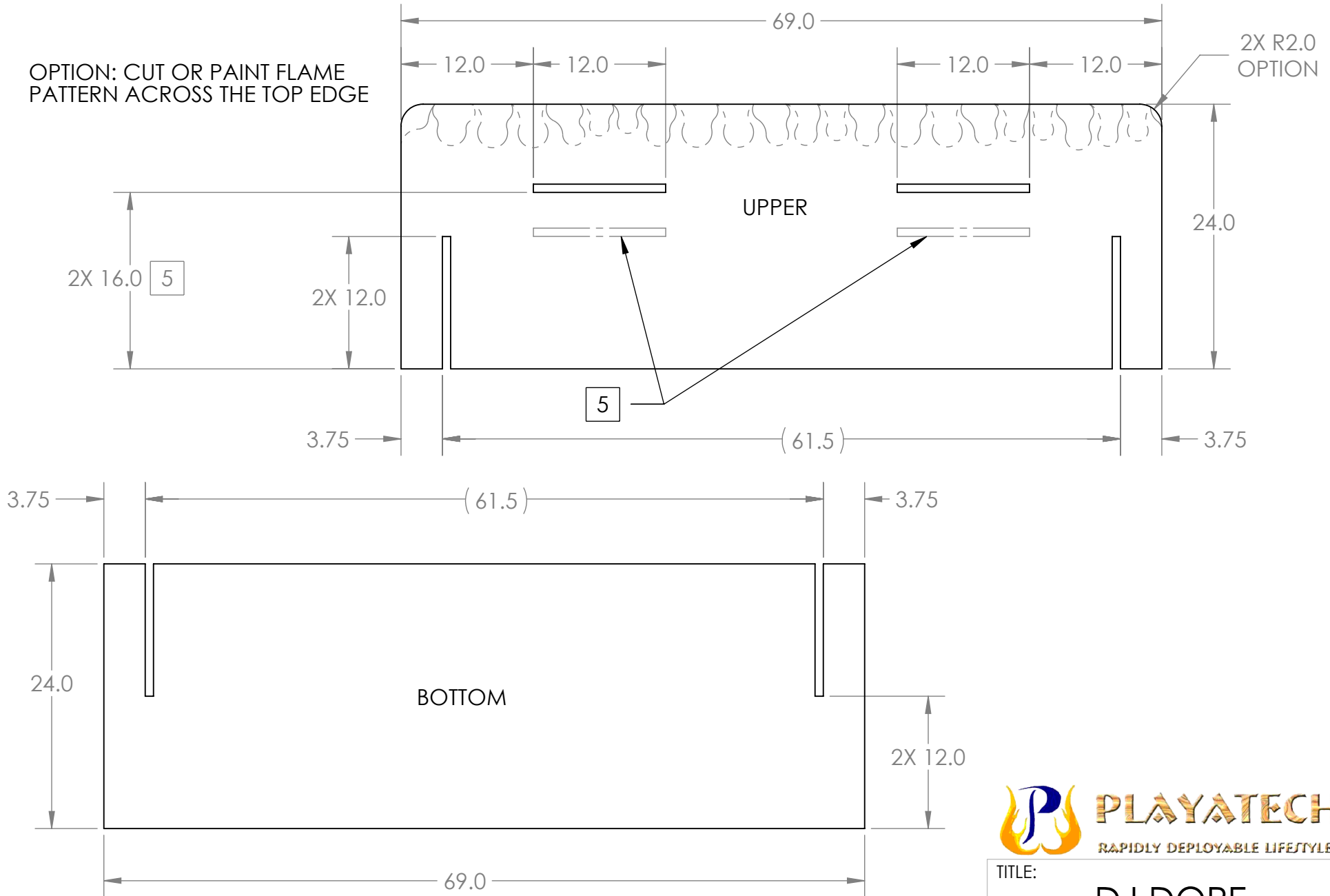
TITLE:		
DJ DOPE		
SIZE A	DWG. NO. DJ Dope	REV C
SCALE: 1:12		SHEET 4 OF 8

SIDE
QUANTITY 2

USE ONLY WITH PAYMENT OF ROYALTY

© 2017 Playatech – All Rights Reserved. The information contained in this drawing is the sole property of Playatech, and was created to benefit the entire Burning Man community. This design may be used only after royalty payment as described at www.playatech.com.

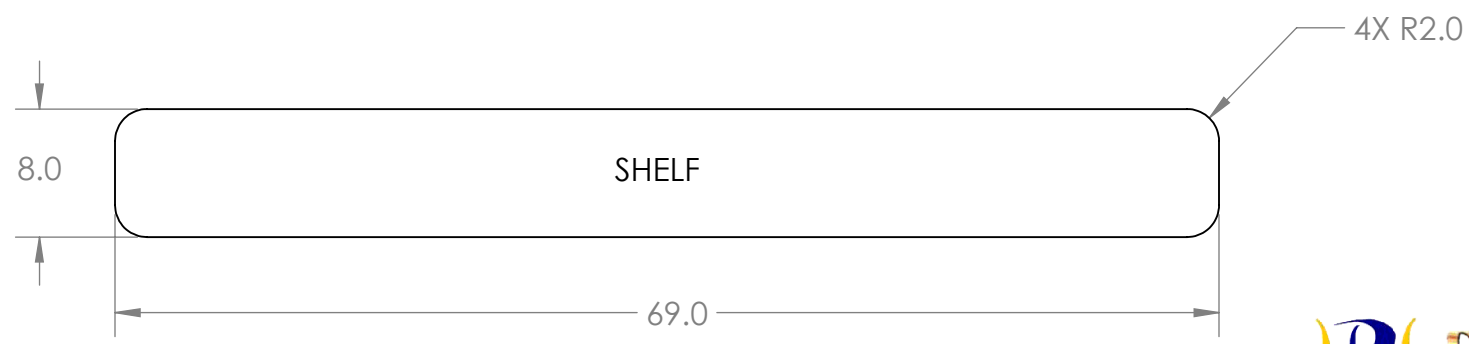
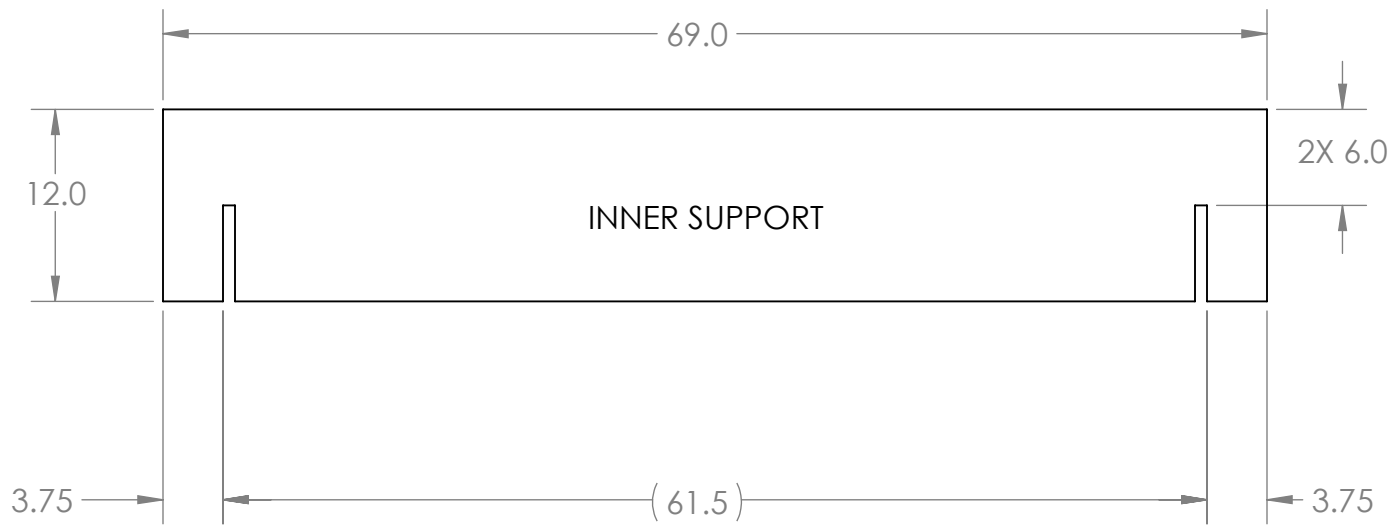
OPTION: CUT OR PAINT FLAME PATTERN ACROSS THE TOP EDGE



TITLE:		
DJ DOPE		
SIZE	DWG. NO.	REV
A	DJ Dope	C
SCALE: 1:12		SHEET 5 OF 8

USE ONLY WITH PAYMENT OF ROYALTY

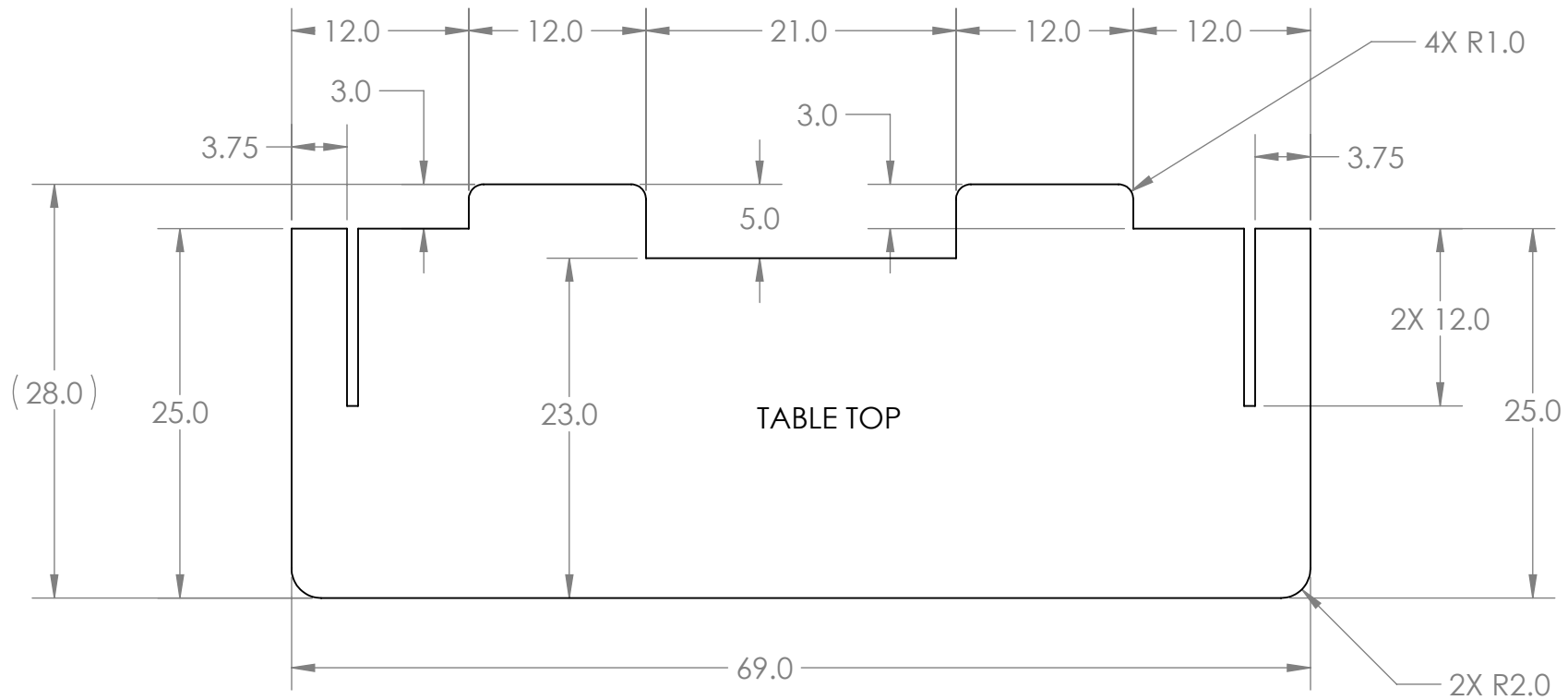
© 2017 Playatech – All Rights Reserved. The information contained in this drawing is the sole property of Playatech, and was created to benefit the entire Burning Man community. This design may be used only after royalty payment as described at www.playatech.com.



TITLE: DJ DOPE		
SIZE A	DWG. NO. DJ Dope	REV C
SCALE: 1:12	SHEET 6 OF 8	

USE ONLY WITH PAYMENT OF ROYALTY

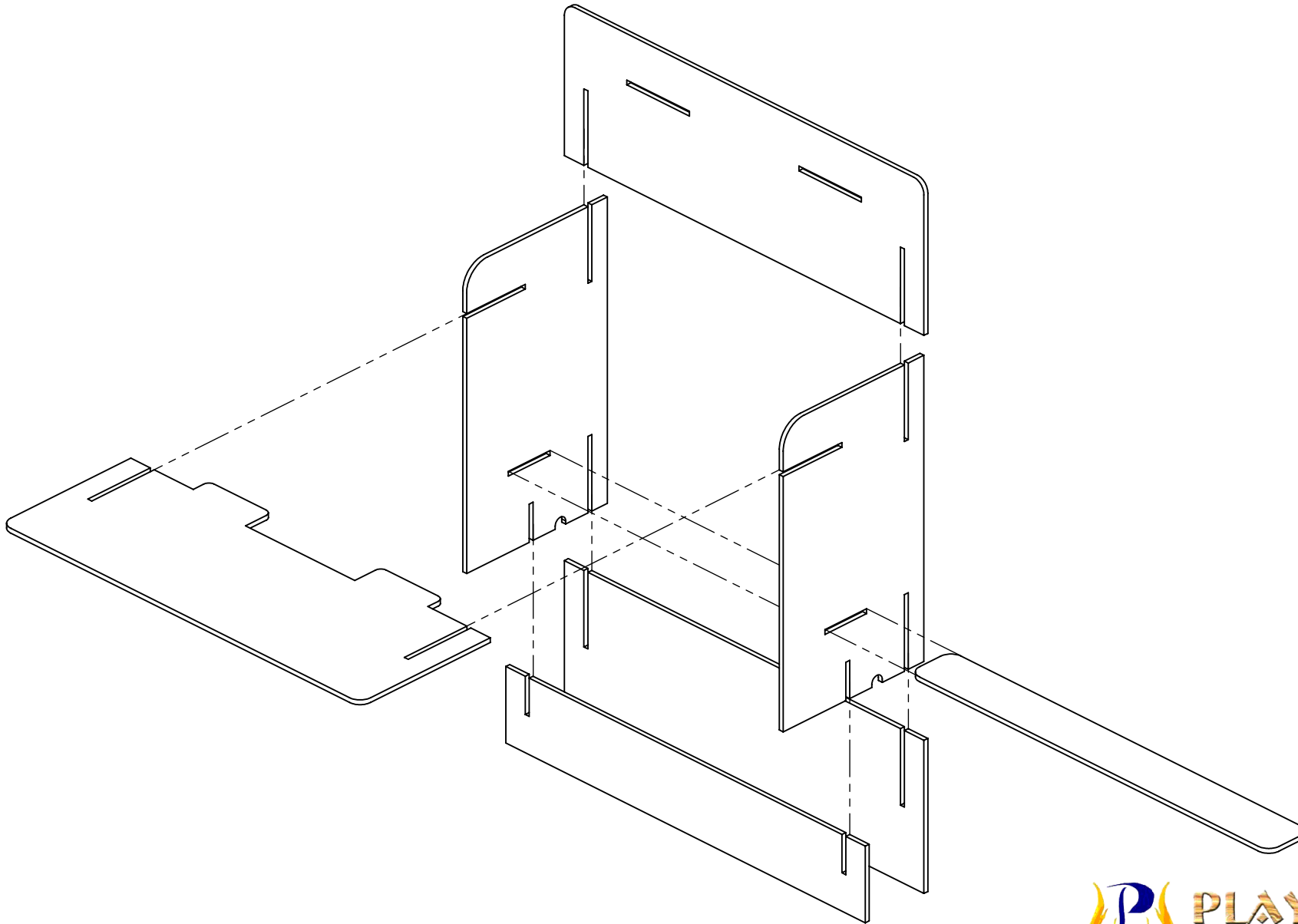
© 2017 Playatech – All Rights Reserved. The information contained in this drawing is the sole property of Playatech, and was created to benefit the entire Burning Man community. This design may be used only after royalty payment as described at www.playatech.com.



TITLE:		
DJ DOPE		
SIZE	DWG. NO.	REV
A	DJ Dope	C
SCALE: 1:12	SHEET 7 OF 8	

USE ONLY WITH PAYMENT OF ROYALTY

© 2017 Playatech – All Rights Reserved. The information contained in this drawing is the sole property of Playatech, and was created to benefit the entire Burning Man community. This design may be used only after royalty payment as described at www.playatech.com.



TITLE:		
DJ DOPE		
SIZE	DWG. NO.	REV
A	DJ Dope	C
SCALE: 1:20		SHEET 8 OF 8

USE ONLY WITH PAYMENT OF ROYALTY

© 2017 Playatech – All Rights Reserved. The information contained in this drawing is the sole property of Playatech, and was created to benefit the entire Burning Man community. This design may be used only after royalty payment as described at www.playatech.com.

5

4

3

2

1